***Overview***

Finding room in front of your windows for all your house plants can be challenging. This plant stand will give you enough room to display 4 large plants and many more if the plants are small.

The overall dimensions of this plant stand are 28" x 37" x 14".

Before Getting Started

Please read and understand this plan package before beginning.

Dimensions are given in the following format:
Length x Width x Height (or Thickness)

Determine what species of wood you will use to complete this project. If you are unsure which species is best suited for this project our project wood at <http://woodworkingplans.ca> . It may be able to help.

Safety

These plans assume that you have a certain level of knowledge about wood working. Since there are many ways to perform one task you must choose the best approach for yourself based on you skill level and tools. If you aren't completely comfortable using a tool, find an alternative way to make the cut.

Remember to always follow the instructions that come with your tools for safe operating procedures.

Warranty

These plans are provided “as is” and all sales are final due to the digital nature of the plans.

However we always value your thought and opinions regarding our plans. If you spot any errors with these plans or if you get stuck and need assistance contact us at dave@woodworkingplans.ca and let us know.

Tools, Wood and Hardware

All tools, hardware and wood for these projects can be found at www.woodworkingplans.ca

Plant Stand

This plant stand is best made from hardwood with stable grain patterns to ensure that warping will be minimal. However, any type of wood will work, so feel free to match species with the existing furniture or wood you already have.

Shelves – Parts A & B:

Shelves should be made from the same species as the rest of the project. The dimensions of the shelves will require them to be glued from narrower stock. There are four shelves in total; two are 13-1/8" x 14" and two are 16" x 14", with all being 5/8" thick.

Shelves are notched into legs as shown in shelf connection detail on page F2. Care must be taken to not "fix" the shelf into the posts as there will be some expansion and contraction of the shelf from changes in humidity.

The shelves can be "floating" in the notches since the rails will be glued to the legs providing the stability needed to keep the plant stand from racking.

Alternatively, the shelves can be glued at 2 point as long as they run with the grain of the wood. Gluing two points across the grain will cause the shelf to split.

Rails – Parts C, D & E:

The rails provide the lateral support needed to allow this plant stand to carry the loads from the plants and heavy pots.

In total there are 16 rails all with the same arched detail but in three different lengths.

The shortest rails (Part E) measure 11-7/8" x 1-3/8" x 3/4" and there are 4 of them.

The long rails measure 14-3/4" x 1-3/8" x 3/4" and there are also four of them.

The mid length rails are used to establish the depth of the plant stand there are 8 rails measuring 12-3/4" x 1-3/8" x 3/4".

All lengths of rails include the tenon on both ends. See cutting diagram on page F4.

Legs – Parts F & G:

The legs are made from stock 1-1/8" square with a 1/4" chamfer detail at the top. See page F2.

In total there are two legs at 28" high and four at 37" high.

Stretchers – Parts H & I:

To provide more stability 4 stretchers are needed at the bottom of the main stand. Two of these stretchers run along the front and back of the larger portion of the plant stand. These measure 14-3/4" x 7/8" x 3/4" and use a mortise and tenon joint much like the rails.

The two longer stretchers run from front to back and measure 12-3/4" x 7/8" x 3/4". See cutting diagram on page F4 for dimensions.

Materials

Cut List:

Part A: 2 Shelves @ 16" x 14" x 5/8"
 Part B: 2 Shelves @ 13-1/8" x 14" x 5/8"
 Part C: 8 Rails @ 12-3/4" x 1-3/8" x 3/4"
 Part D: 4 Rails @ 14-3/4" x 1-3/8" x 3/4"
 Part E: 4 Rails @ 11-7/8" x 1-3/8" x 3/4"
 Part F: 2 Legs @ 36-3/4" x 1-1/8" x 1-1/8"
 Part G: 2 Legs @ 28" x 1-1/8" x 1-1/8"
 Part H: 2 Stretchers @ 12-3/4" x 7/8" x 3/4"
 Part I: 2 Stretchers @ 14-3/4" x 7/8" x 3/4"

Materials:

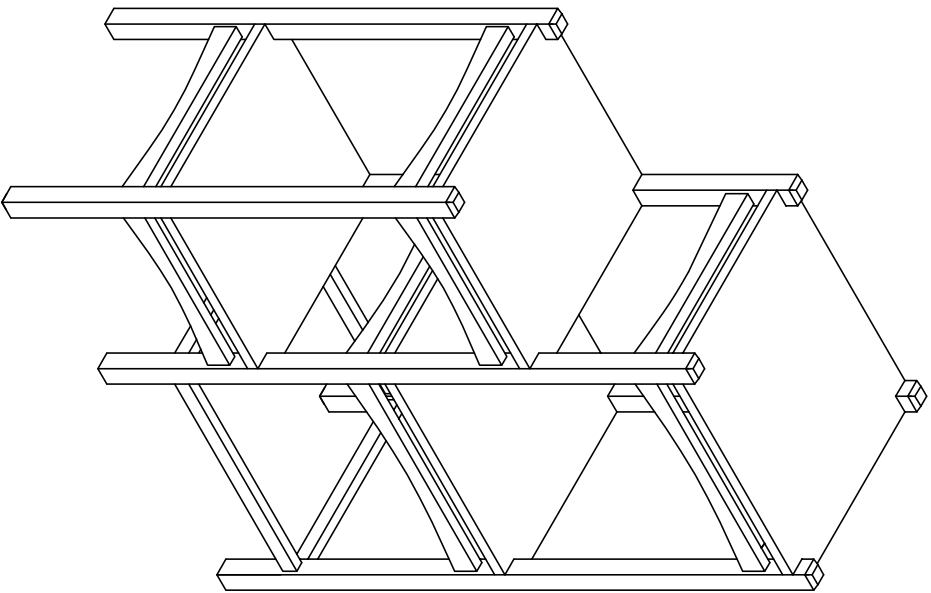
5 @ 8' x 4" x 1"
 1 @ 8' x 6" x 2"

Disclaimer

These plans make the assumption that you have a basic knowledge of wood working and wood working safety. We can make no guarantee that you have the wood working knowledge to complete this plan and thus assume no responsibility for un-satisfactory results.

Always read and understand the instructions that come with your tools. This will instruct you on the proper use of the tools.

Accurate Woodworking assumes no responsibility for damages (tools, personal, computer or any other damage) resulting from the use of this set of plans.



PLAN TITLE
PLANT
STAND

DRAWING TITLE
ISOMETRIC
VIEW

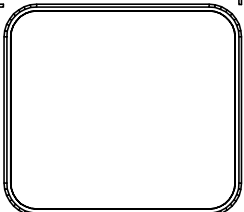
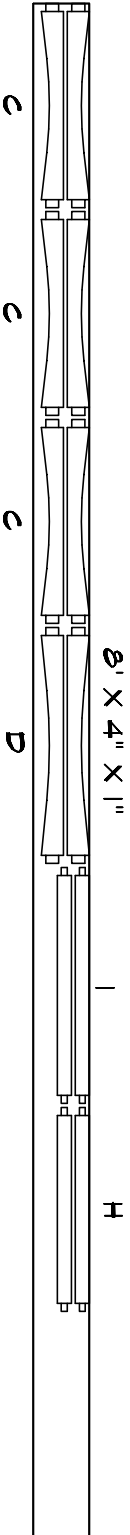
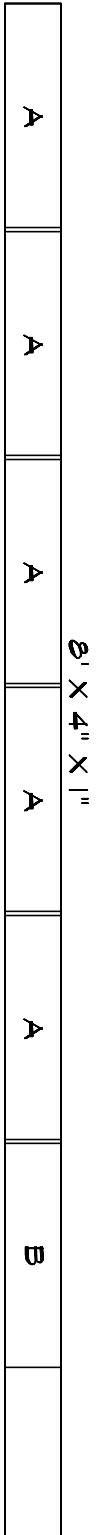
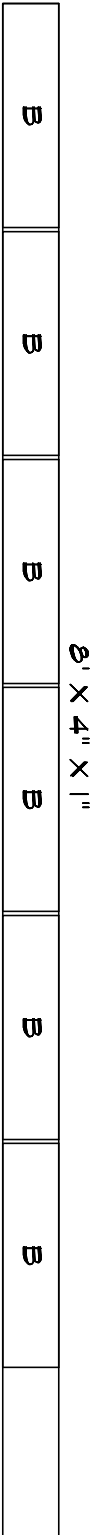
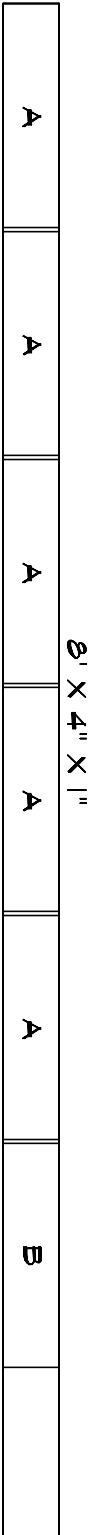
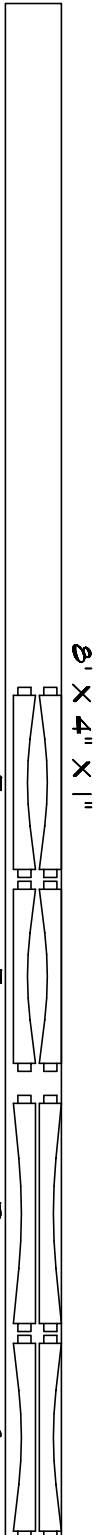
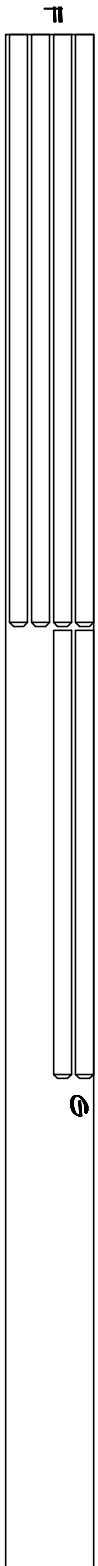
SCALE
1" = 1'-0"

DRAWN
DEM

DATE
2008

DRAWING NO.

F1



PLANT TITLE
 PLANT
 STAND

DRAWING TITLE
 MATERIALS
 LIST

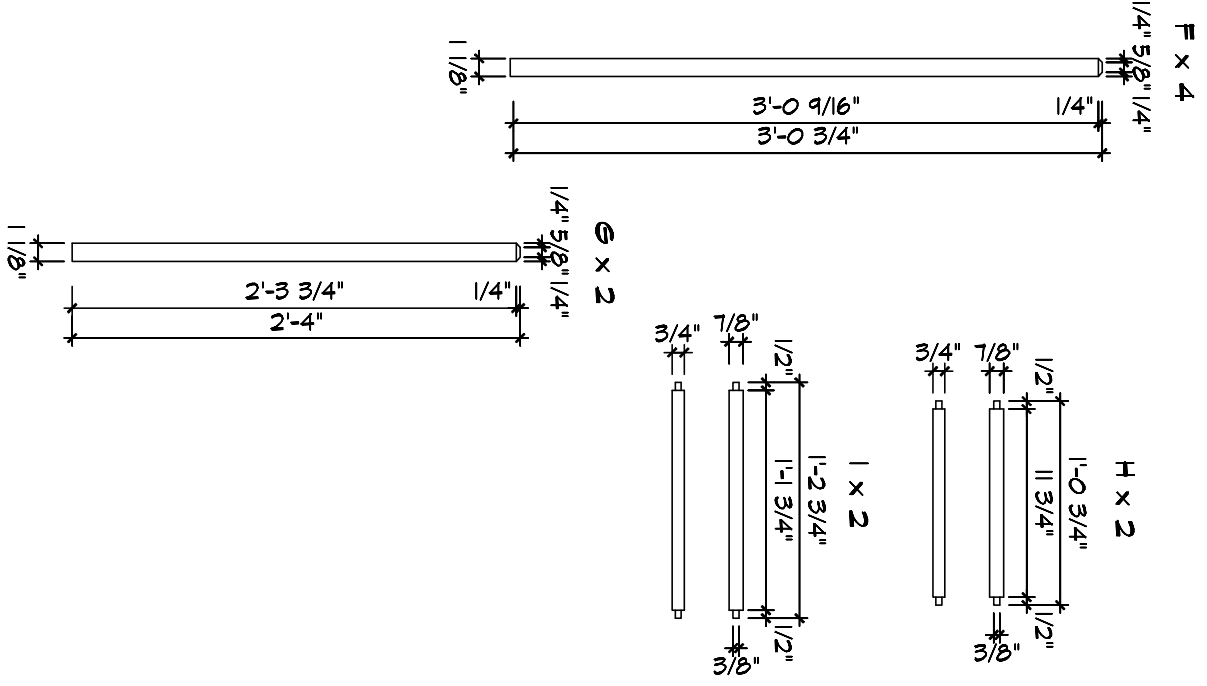
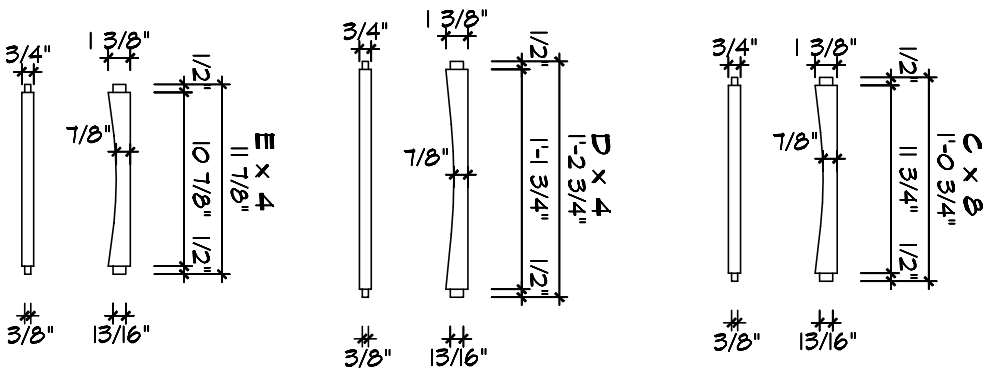
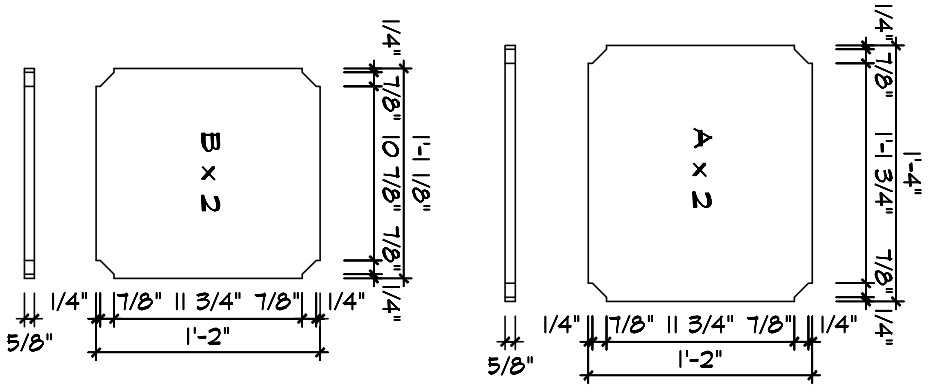
SCALE 1" = 1'-0"

DRAWN DENM

DATE 2009

DRAWING NO.

F3



	PLAN TITLE PLANT STAND	DRAWING TITLE CUTTING DIAGRAM	SCALE 1"=1'-0"	DRAWN DEM	DATE 2008	DRAWING NO. F4
--	---	--	--------------------------	---------------------	---------------------	---------------------------------